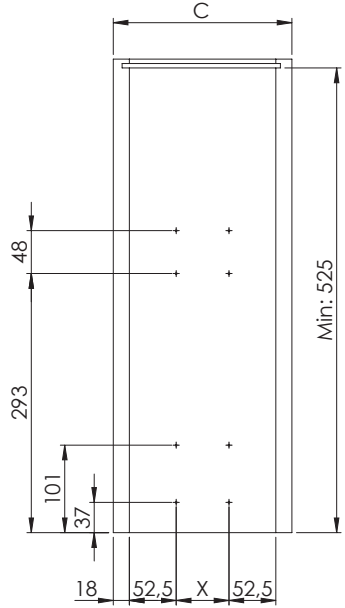
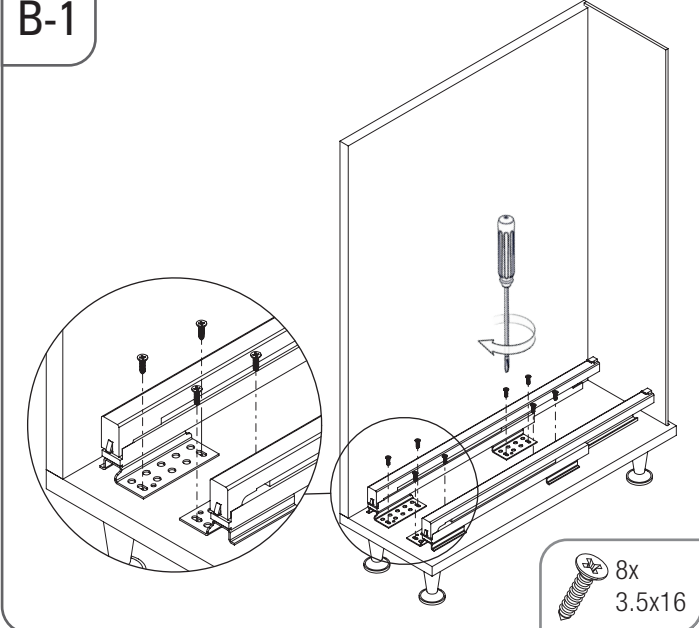


A-1

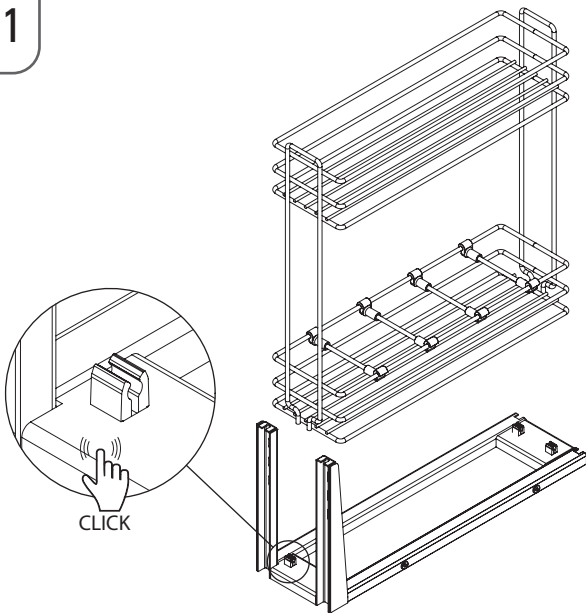


Product Code	C	X
S-2190	200	59
S-2191	250	109

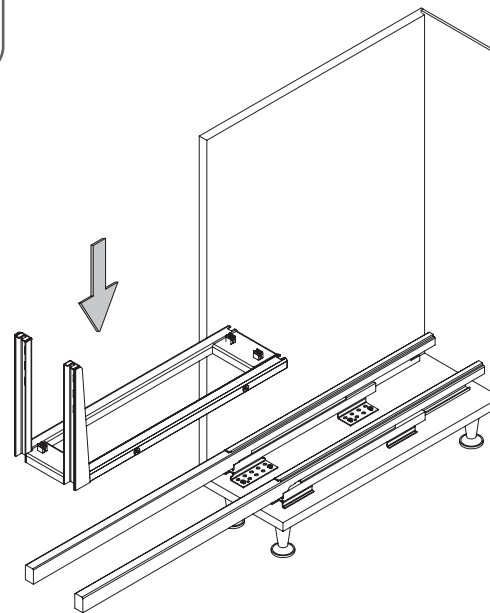
B-1



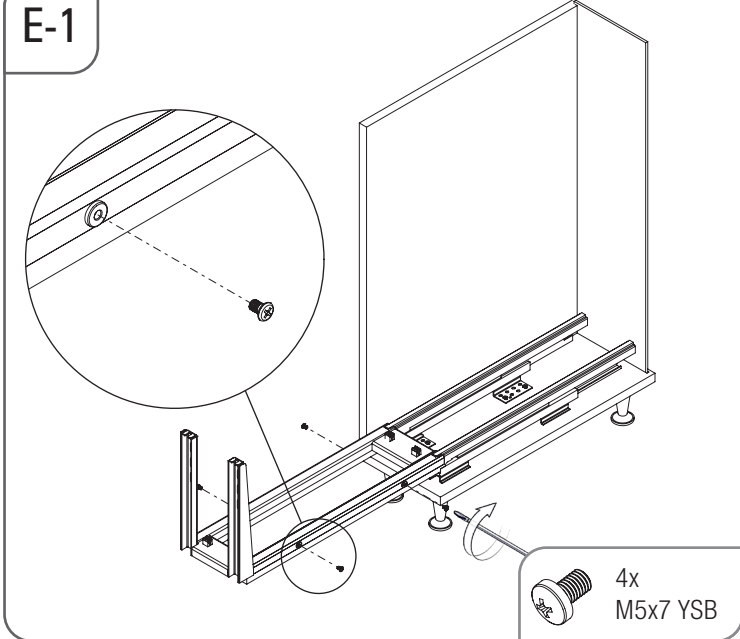
C-1



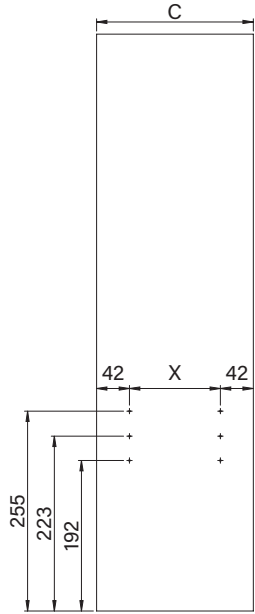
D-1



E-1

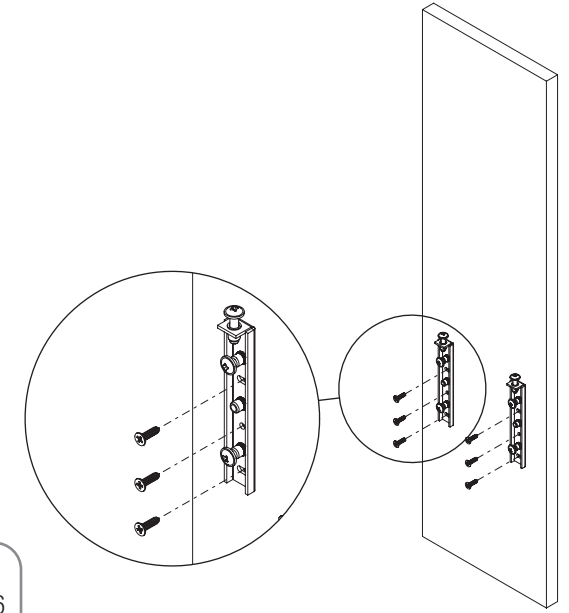


F-1



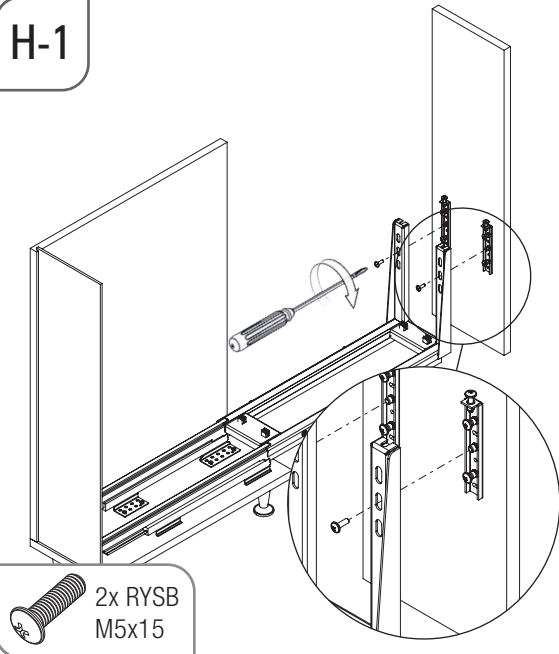
Product Code	C	X
S-2190	200	116
S-2191	250	166

G-1



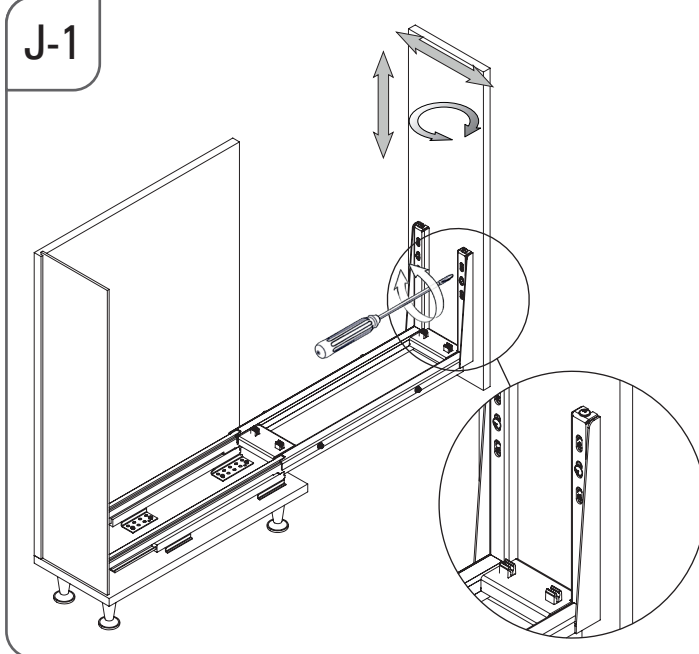
6x
3.5x16

H-1



2x RYSB
M5x15

J-1



K-1

